

User's Manual

CH2400

Monitor Hood

显示器遮光罩

遮光フード

Important

Please read this User's Manual carefully to familiarize yourself with safe and effective usage.

Please retain this manual for future reference.

重要事項

请仔细阅读用户手册, 掌握如何安全、有效地使用本产品。

请保留本手册, 以备日后参考。

重要

ご使用前には必ず取扱説明書をよくお読みになり、正しくお使いください。

この取扱説明書は大切に保管してください。



User's Manual

CH2400

Monitor Hood

■ SAFETY SYMBOLS

This manual uses the safety symbols below. They denote critical information. Please read them carefully



WARNING

Failure to abide by the information in a WARNING may result in serious injury and can be life threatening.



CAUTION

Failure to abide by the information in a CAUTION may result in moderate injury and/or property or product damage.



Indicates a prohibited action.

Copyright © 2015 - 2020 EIZO Corporation All rights reserved.

No part of this manual may be reproduced, stored in a retrieval system, or transmitted, in any form or by any means, electronic, mechanical, or otherwise, without the prior written permission of EIZO Corporation. EIZO Corporation is under no obligation to hold any submitted material or information confidential unless prior arrangements are made pursuant to EIZO Corporation's receipt of said information. Although every effort has been made to ensure that this manual provides up-to-date information, please note that EIZO product specifications are subject to change without notice.

EIZO and EIZO Logo are registered trademarks of EIZO Corporation in Japan and other countries.

Thank you very much for choosing an EIZO product.

Please read this User's Manual carefully to familiarize you with safe and effective usage procedures.

Please retain this manual for future reference.

PRECAUTIONS

To ensure personal safety and proper maintenance, please read this section.

WARNING

Keep electronic medical devices away from the hood

This product uses magnets. The magnetic forces may affect the normal operation of medical devices.



CAUTION

Do not carry the monitor with the hood attached.

While carrying the monitor, the hood may fall or slip off, which may result in injury or equipment damage.



Do not place any objects on the hood.

If the hood falls or slips off or the monitor falls over, it may result in injury or equipment damage.



Keep the following items away from the hood

- Magnetic recording media such as magnetic cards, prepaid cards and tickets
- Electronic and communication devices such as speakers, CD/DVD players and cell phones

This product uses magnets. The magnetic forces may damage their data or hamper the normal operation of such devices.



Attach only to specified EIZO LCD monitors.

Attaching to other monitors may cause the hood to drop, which may result in injury or equipment damage. For the specified monitors, please visit our website at www.eizoglobal.com.



Package Contents

Please contact your local EIZO representative for assistance if any of the listed items are missing or damaged.

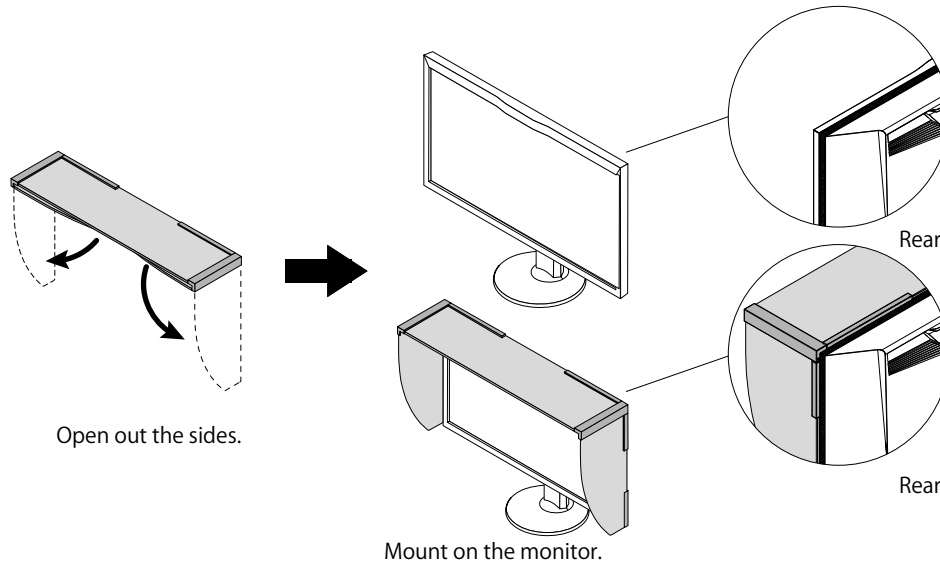
- Monitor Hood
- User's Manual (this manual)

Installation

Attention

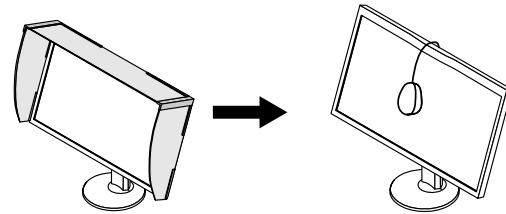
- This product is exclusively for use in landscape mode. The hood cannot be installed on a monitor in portrait mode.

This product uses magnets. The magnetic force makes it easy to mount on the monitor.



Sensor Attachment

To perform calibration using an external sensor, remove the hood and mount the sensor.



■ Recycling Information

This product, when disposed of, is supposed to be collected and recycled according to your country's legislation to reduce environmental burden. When you dispose of this product, please contact a distributor or an affiliate in your country. The contact addressees are listed on the EIZO website below.

www.eizoglobal.com

For recycling information for customers in Switzerland, please refer to the following website.

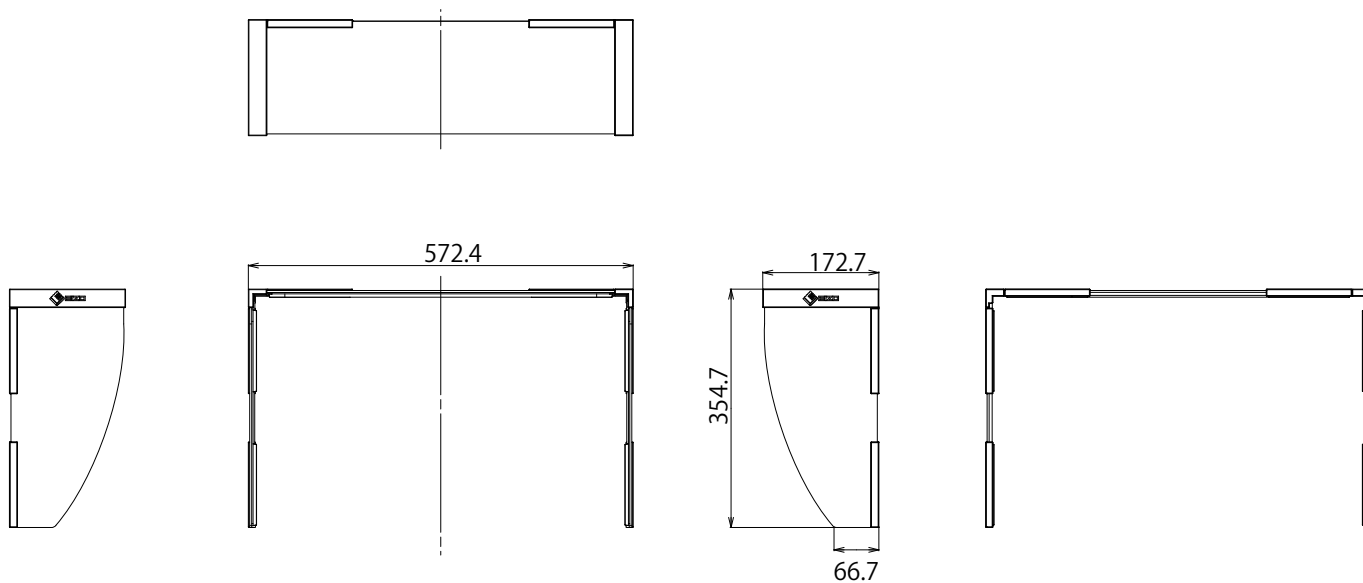
www.swico.ch

Specifications / 规格 / 仕様

Dimensions (W) x (H) x (D) 尺寸 (宽度 × 高度 × 深度) 寸法	572.4 mm × 354.7 mm x 172.7 mm
Weight 净重 質量	Approx. 670 g 约 670 g 約 670 g

● Dimensions / 外形尺寸 / 外觀寸法

Unit: mm
单位: mm
单位: mm





EIZO Corporation

153 Shimokashiwano, Hakusan, Ishikawa 924-8566 Japan

EIZO Europe GmbH

Belgrader Straße 2, 41069 Mönchengladbach, Germany

艺卓显像技术(苏州)有限公司



中国苏州市苏州工业园区展业路 8 号中新科技工业坊 5B

EIZO 株式会社

〒 924-8566 石川県白山市下柏野町 153 番地

www.eizoglobal.com

Copyright © 2015 - 2020 EIZO Corporation. All rights reserved.

00N0L940C1 
UM-CH2400 

3rd Edition - July, 2020 Printed in Japan.